

JUNIOR MICROSCOPE

PRODUCT GUIDE

IP 116059

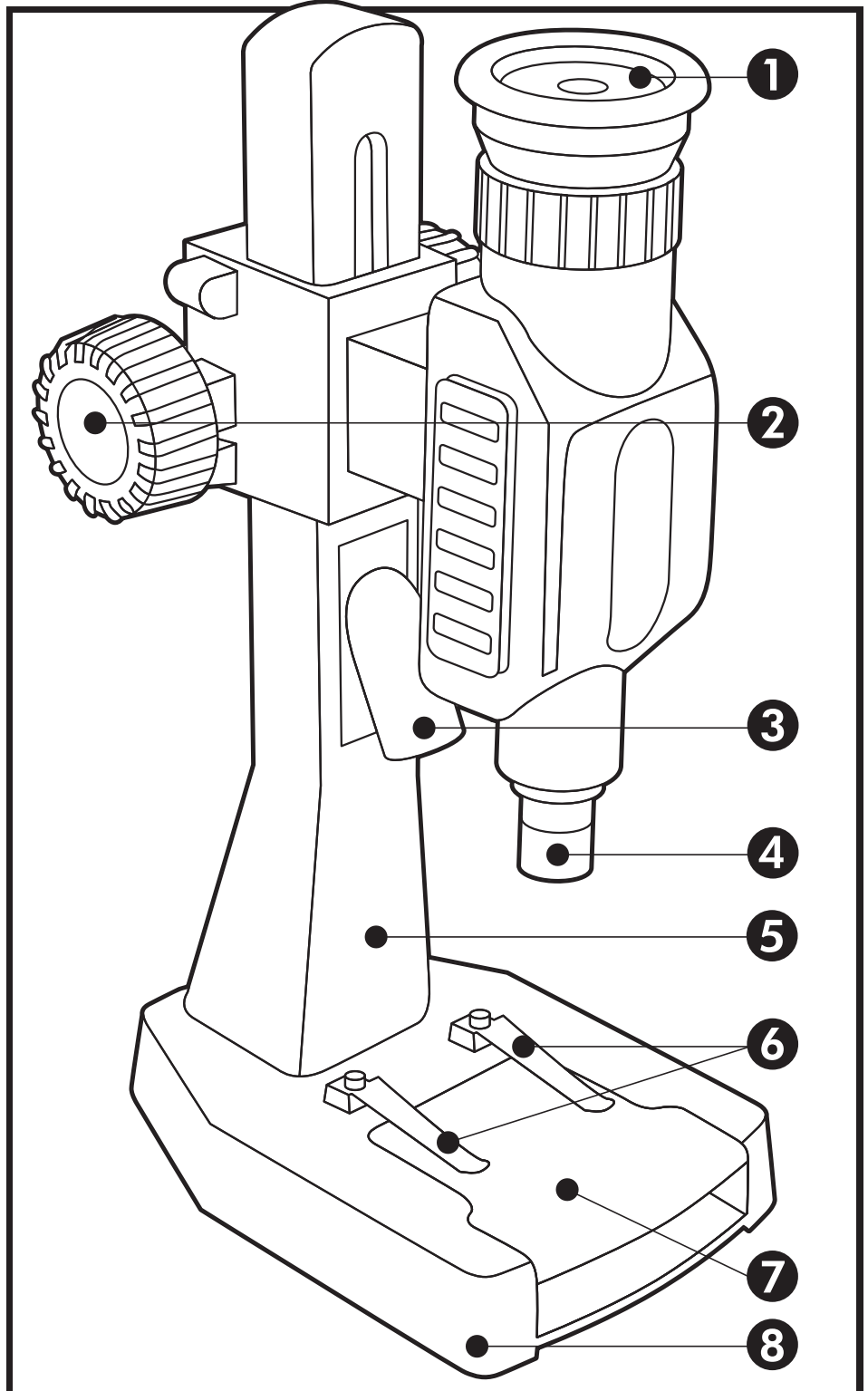
THIS PRODUCT GUIDE MAY BE PHOTOCOPIED FOR CLASS USE ONLY

The discovery of the microscope goes back many years and since its invention it has exposed us to a new field of exploration and education from the most basic study of nature and biology to the intricate and complicated forms of living organisms and static materials that make up the world we live in.

This Junior Microscope provides a real hands-on way for students to explore, investigate, record, draw and most importantly, to reach conclusions for themselves.

KEY

1. Eyepiece
2. Focussing Knob
3. Light
4. Lens
5. Body
6. Clips
7. Reversible Viewing Plate
8. Base with battery compartment



WARNING: NOT SUITABLE FOR CHILDREN UNDER 36 MONTHS BECAUSE SMALL PARTS MAY CAUSE A CHOKING HAZARD. MICRO SLIDES MAY HAVE SHARP EDGES AND COULD BE POTENTIALLY HARMFUL IF MISUSED. KEEP BATTERIES AWAY FROM CHILDREN. BATTERIES MAY BE HARMFUL IF SWALLOWED. TO BE USED ONLY UNDER ADULT SUPERVISION. Prior to use, an adult must read the instruction guide carefully and ensure that children follow all safety, warnings and cautionary procedures. Please retain the information from this pack for future reference. We reserve the right to alter designs and specifications (including colours and materials) when such changes are unavoidable. This product conforms to the safety requirements of EN71, ASTM, 16 CFR and The Canadian Hazardous Products (Toys) Regulations. MADE IN CHINA.

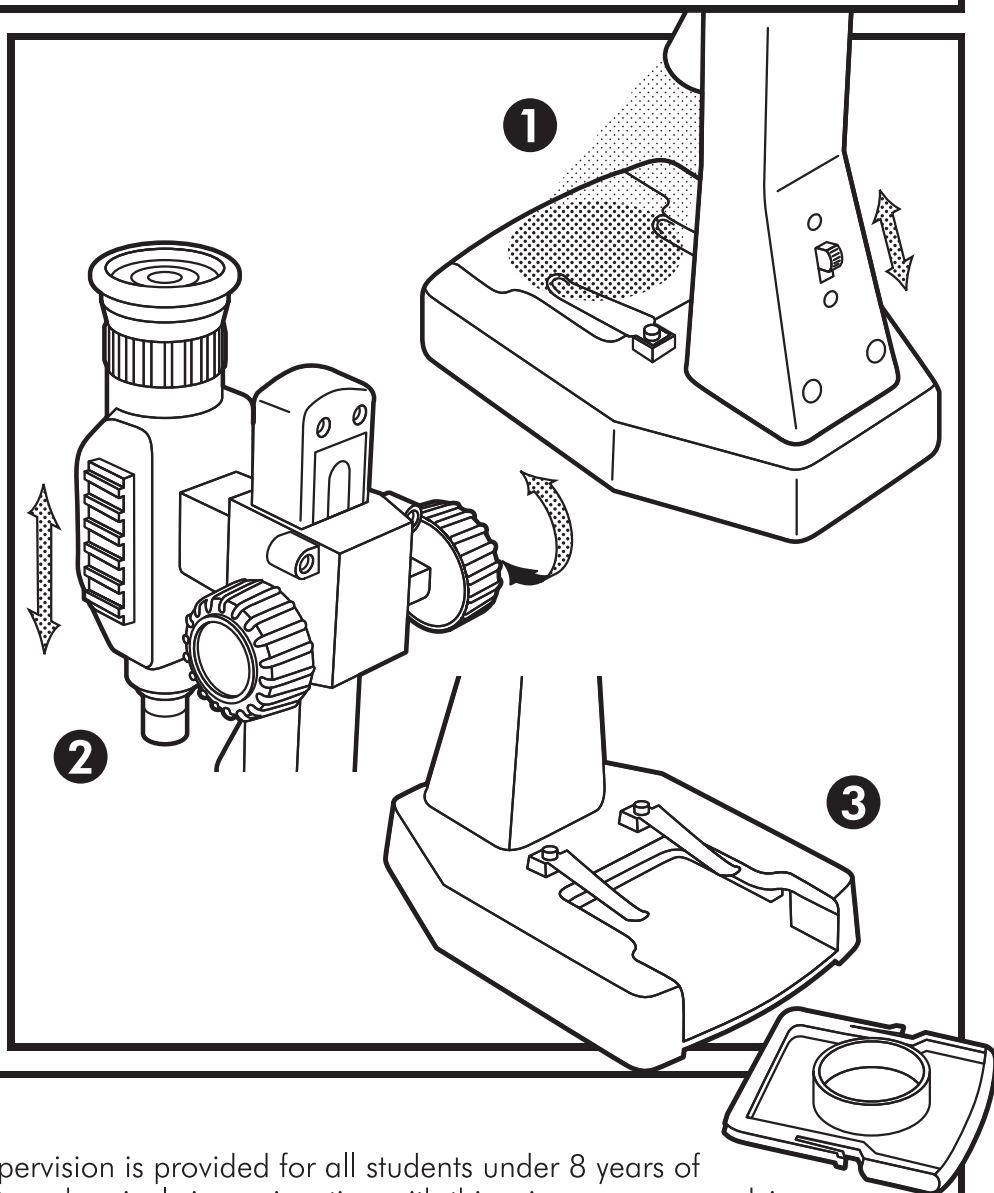


CAREFUL HANDLING OF THE MICROSCOPE

Read the instructions before use and keep them for future reference. If the lens gets dirty or dusty, wipe the lens surface with a clean lens tissue or a soft cotton cloth. After use store the microscope back in it's box in a moisture free environment. When not in use for a long period of time remove the batteries.

HOW TO USE THE JUNIOR MICROSCOPE

- 1 Place the subject to be observed on the viewing plate. Use the clips to locate any slides. Turn on the light if required.
- 2 By turning the focussing knob the lens can be positioned over the subject and viewed through the eyepiece.
- 3 The viewing plate can be reversed to observe subjects in liquid.



WARNINGS

It is recommended that adult supervision is provided for all students under 8 years of age. When using the equipment or chemicals in conjunction with this microscope, we advise you to refer to any instructions supplied with, and concerning the use of this additional equipment.



WARNING: NOT SUITABLE FOR CHILDREN UNDER 36 MONTHS BECAUSE SMALL PARTS MAY CAUSE A CHOKING HAZARD. MICRO SLIDES MAY HAVE SHARP EDGES AND COULD BE POTENTIALLY HARMFUL IF MISUSED. KEEP BATTERIES AWAY FROM CHILDREN. BATTERIES MAY BE HARMFUL IF SWALLOWED. TO BE USED ONLY UNDER ADULT SUPERVISION. Prior to use, an adult must read the instruction guide carefully and ensure that children follow all safety, warnings and cautionary procedures. Please retain the information from this pack for future reference. We reserve the right to alter designs and specifications (including colours and materials) when such changes are unavoidable. This product conforms to the safety requirements of EN71, ASTM, 16 CFR and The Canadian Hazardous Products (Toys) Regulations. MADE IN CHINA.

